



MeacoFan 1056 Air Circulator



Thank you for choosing Meaco, we really do appreciate it

INSTRUCTION MANUAL [EN]
1056AC

SAFETY INFORMATION

ATTENTION

This air circulator must not be used in rooms under the following conditions:

- Potentially explosive atmosphere
- Aggressive atmospheres
- Featuring a high concentration of solvents
- An extremely high ratio of dust

Magnets – The remote control and the fan both contain magnets. Please note the following;

Pacemakers and defibrillators may be affected by magnets. If this affects you then please do not put the remote control in a pocket and warn anyone who is likely to use the fan or the remote that it has a magnet.

Credit cards and data cards can also be effected by magnets and should not be placed near to the remote or the fan.

Keep Children Away: Do not allow children to play with or around this unit, which could result in injury. Be sure the unit is inaccessible to children when not attended.

Keep Unit Grounded: Always operate the unit with a grounding plug and a grounded electrical outlet. A grounding plug is an essential safety feature that helps reduce the risk of shock or fire.

Protect Power Cord from Damage: Never operate a unit with a damaged power cord, as this may lead to electrical or fire hazards. If the power supply cord is damaged, it must be replaced by a cord of the same type and amperage rating.

Extension Cords: Extension cords must be grounded and able to deliver the appropriate voltage to the unit.

Handle with Care: Do not drop, throw or crash the air circulator. Rough treatment can damage the components or wiring and create a hazardous condition.

Run on Stable Surface: Always operate the unit on a stable, level surface, for example the floor or a strong counter, so that the air circulator cannot fall and cause injury.

Keep Out of Water: Never operate the unit in pooled or standing water, as this may create a risk of injury from electrical shock. Do not store or operate outdoors. If electrical wiring or components become wet, thoroughly dry them before using the unit. If in doubt do not use the air circulator and consult a qualified electrician or a Meaco approved engineer.

Keep Air Intakes Clear: Do not clog or block the air intakes by placing the air circulator too close to curtains, walls or anything that will restrict the air inlet. This may cause the unit to overheat and result in a fire or electrical hazard.

Keep Electrical Components Dry: Never allow water inside the air circulator's electrical components. If these areas become wet for any reason, thoroughly dry them before using the air circulator. If in doubt do not use the air circulator and consult a qualified electrician or a Meaco approved engineer.

The operator must make the operating instruction available for the user and make sure that the user does understand the manual.

Wiring Instructions: Should it be necessary to change the plug please note the wires in the mains lead are coloured in accordance with the following code:

BLUE - NEUTRAL
BROWN - LIVE

As the colours of the wires in the mains lead of this appliance may not correspond with the coloured markings identifying the terminals in your plug, proceed as follows:

1. The **BLUE** wire is the **NEUTRAL** and must be connected to the terminal which is marked with the letter **N** or coloured **BLACK**.
2. The **BROWN** wire is the **LIVE** and must be connected to the terminal which is marked with the letter **L** or coloured **RED**.
3. Always ensure that the cord grip is positioned and fastened correctly.

Only ever use the same fuse as fitted in the original product, if in doubt please contact Meaco first or a qualified electrician.

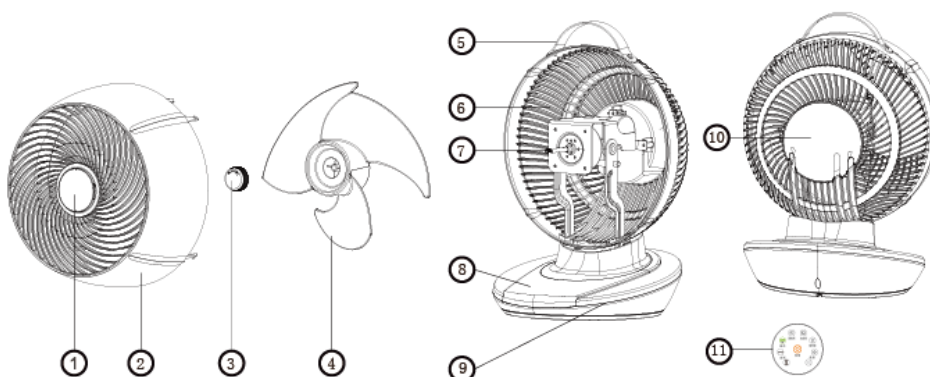
1. GENERAL ADVICE

Before putting your air circulator into operation for the first time, the instruction manual should be studied carefully.

After receiving the unit, you should check your air circulator for any transport damage. In case of damage, you should inform the sender immediately.

Keep the packaging for the air circulator in a safe place in order to be able to despatch the air circulator safely if it requires a service. In order to save space, you can simply cut through the adhesive tape using a knife and fold up the cardboard box.

2. PRODUCT IDENTIFICATION

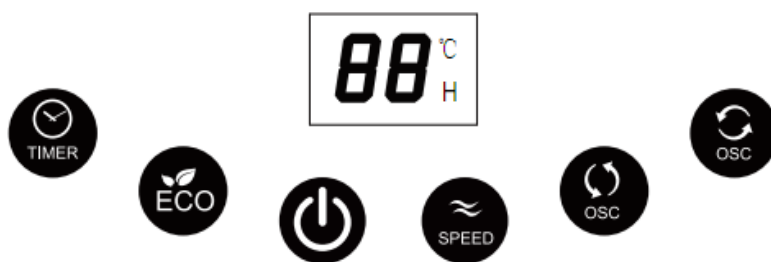


1	Magnetic remote control holder	2	Front guard	3	Spinner
4	Fan blades	5	Handle*	6	Rear guard
7	Fan motor	8	Control panel	9	Base
10	Mains lead tidy	11	Remote control**		

*The handle is made from artificial materials and does not contain any animal products.

**Supplied with a CR2025 DC3V battery. Please remove the tab from the battery before use.

3. CONTROL PANEL AND OPERATION



ON/OFF Button

Press to turn the fan on or off, the appliance makes a 'beep' sound when turned on and enters the standby state.

Speed Button

Press the speed button on the control panel/ remote controller to adjust the air flow fan speed. There are 12 fan speeds available.

Oscillation Buttons (OSC)

These two buttons can be used to change the oscillation angles through different range of motions for left/right and up/down. Press once to turn the oscillation on and press again to stop the motion, in doing so you can fix the direction of the fan (for example upwards).

Timer Button

When the fan is standby state, you can use the timer button to set an interval between 1 and 12 hours after which the fan will turn ON.

When the fan is turned on and running, you can use the timer button to set an interval between 1 and 12 hours after which the fan will turn OFF.

ECO Button

This button turns ECO mode on or off. If you select ECO mode the fan speed will automatically change as per the table below. In ECO mode the SPEED button is disabled.

Room temperature	Fan speed
<23°C	2
23 to 25°C	4
25 to 27°C	6
27 to 29°C	8
29 to 31°C	9
31 to 33°C	10
>33°C	12

4. ELECTRICAL CONNECTIONS AND OPERATING CONDITIONS

This air circulator was designed to operate in a 220V-240V / 50Hz electrical installation. Make sure that the electric sockets are connected to earth and that all safety precautions are taken.

This air circulator can be operated within an ambient temperature range from +5°C to +40°C and with a non-condensing relative humidity.

5. SPECIFICATIONS

Model	MeacoFan 1056AC
Operating conditions	+5°C to +40°C
Humidity operating range	Non-condensing
Fan motor type	DC
Maximum air flow	1056 cubic metres per hour
Power supply	220 - 240V / 50Hz
Power consumption	9.5 to 23.5 watts
Oscillation swing angles	60° up and 80° left
Noise level	20 to 60dB
Air circulator Dimensions (mm)	305 x 285 x 403mm
Box dimensions (mm)	335 x 308 x 425
Nett / Gross Weight (Kgs)	3.2 / 3.5Kgs

6. TROUBLESHOOTING

Trouble	Suggestion	Further action
No power to the fan	No power to the unit	Plug the unit in to the power socket and turn the socket on.
	Fan not turned on	Press the On button.
On button does not work	Check instructions above	If it still does not work then contact Meaco.
Oscillation does not work	Press oscillation button	If the oscillation button does not work then contact Meaco.
Increased noise level	Fan blades dirty	Clean the fan blade as per the maintenance section of the manual.
	Fan blades or fan motor loose	Tighten the fan blade as per the maintenance section of the manual.
	Fan motor fault	Contact Meaco
Fan speed does not change	Is the fan in ECO mode?	Change mode from ECO to access the fan speed settings.

7. CLEANING AND STORAGE

Always turn the fan off and unplug it from the socket before cleaning. Clean the fan with a soft, dry cloth, do not allow the fan to get wet.

When storing the fan use the cable compartment to store the mains cable. Store in its plastic bag or original box to protect the fan from dust.

Remember the fan can be used in winter to help distribute warm air more effectively in a room.

8. WARRANTY AND CUSTOMER SERVICE

There is a two year warranty on your air circulator from the date of purchase. Please register your warranty at www.meaco.com, as a thank you we will enter you into our monthly free prize draw.

All material or manufacturing defects will be repaired free of charge.

The following applies:

- Any repairs or replacement of components during the warranty period will not result in an extension of the warranty period.
- The warranty will expire if any alterations have been made, not genuine components have been fitted or if the air circulator has been repaired by a third party.
- Components subject to normal wear and tear, are not covered by the warranty.
- The warranty is only valid on presentation of the original, unaltered, and date-stamped purchase receipt.
- The warranty does not cover damage caused by actions that deviate from those as described in the user's manual or by neglect.
- The warranty does not cover faults caused by dirt or third party products.
- The warranty does not cover accidental damage.
- All claims for compensation, including consequential damage, will not be entertained.

To prevent unnecessary expenses, we recommend that you always carefully read the user's manual first. If this does not provide a solution, call Meaco and we will be happy to help.

This appliance is not intended for use by person (including children) with reduced physical, sensory or mental capabilities, or lack of experience and knowledge, unless they have been given supervision or instruction concerning use of the appliance by a person responsible for their safety.

Children should be supervised to ensure that they do not play with the appliance.

This air circulator has been imported into the U.K. by;

Meaco (U.K.) Limited
Meaco House
Parklands
Railton Road
Guildford
GU2 9JX

Telephone: 01483 234900
Email: service@meaco.com
Website: www.meaco.com
Fax: 01483 232700

Please record, for future reference, your date of purchase and where you bought the air circulator from here.

Date of purchase.....

Purchased from www.meaco.com (if not then please record the supplier's name below).

Serial number:.....

If you do develop a fault at any time then please do call us and we will always try and help you as best we can.

Please save the box just in case we need to collect the fan from you for a service.